

Section 7 :

M0		M1		M2	
0		1		1	
7 colors Flashing					
R	G	B			
o	x	x			
x	o	x			
x	x	o			
o	o	x			
x	o	o			
o	x	o			
o	o	o			

- (3). Fosc = 128KHz (Build-in OSC)。
- (4). 4 Outputs, Output Current is 25mA、12mA options。
- (5). Using KEY1 , M0 = Floating , M1、 M2 = VDD (used at Section 7) ,
Just one trigger , it will display one color , total 7 colors。
There is no OFF function。
- (6). Using KEY2 at any time , Just one Trigger , LED outputs will do PAUSE function
(LED brightness and colors will stay at lock mode)
trigger KEY2 once then it will play again, LED start running。
- (7). L1=L2=12mA , L3=L4=25mA , L2 and L3 are same function。

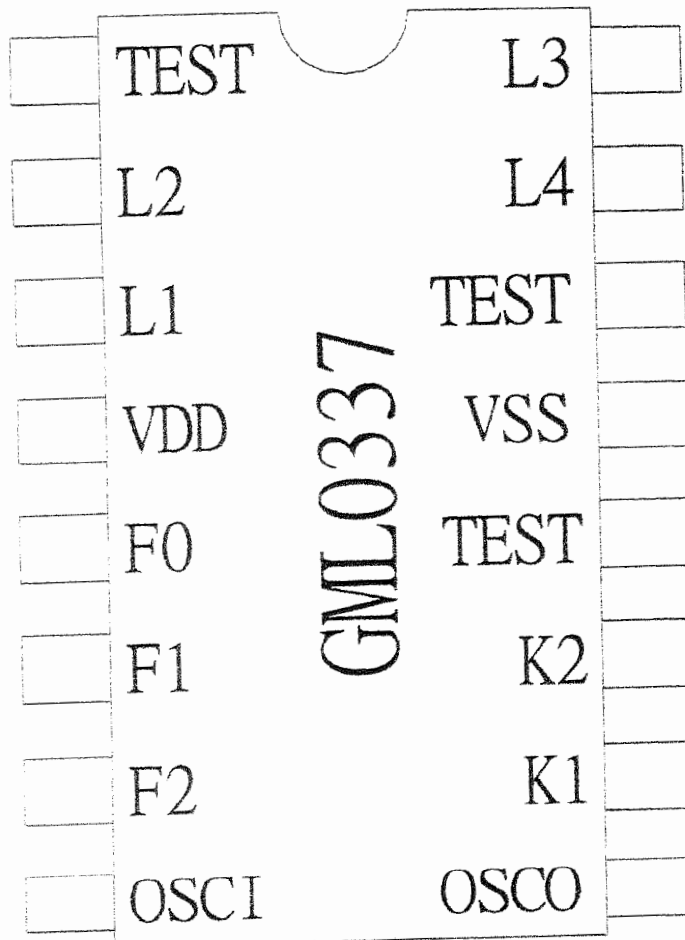
C. Electrical Characteristics

Item	Symbol	Limit			Unit	Conditions
		Min	Typ	Max		
Working Voltage	VDD		3	5	V	
Working Current	IOP			100	μA	@VDD=3V , VOH=2V
Output Current	ILED		25		mA	@VDD=3V , VOH=2V
			12			

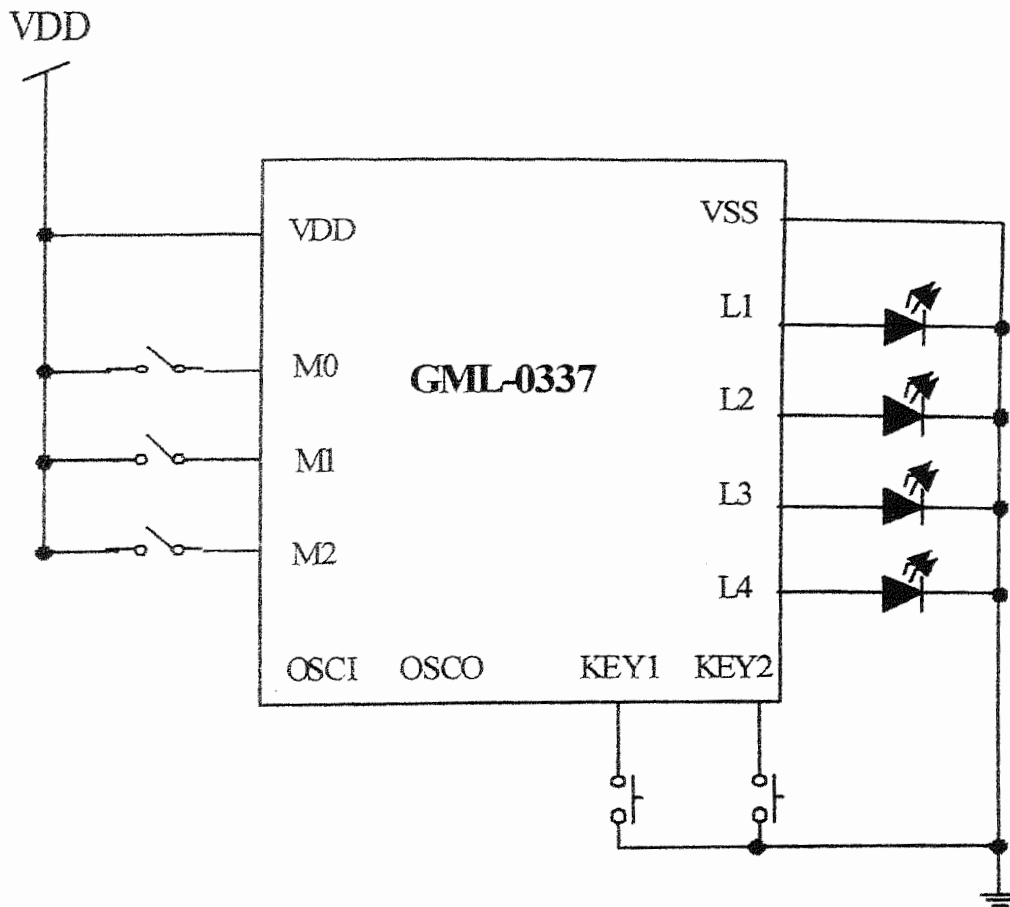
D. PIN Assignment Descriptions

pin	Symbol	I/O	Status	Functions Descriptions
1	VDD	I		Positive Power Supply.
2	M0	I	Pull-Low	Flash Patterns Options.
3	M1	I	Pull-Low	
4	M2	I	Pull-Low	
5	OSCI	I		Build-in OSC.
6	KEY1	I	Pull-High	7 Colors Trigger KEY (for Section7).
7	KEY2	I	Pull-High	pause / play Trigger KEY.
8	OSCO	O		Build-in OSC.
9	VSS	I		Negative Power Supply.
10	L4	O	IOH	LED Output pin. Isource = 25mA @ VDD=3V , VOH=2V. L1=L2=12mA, L3=L4=25mA.
11	L3	O	IOH	
12	L2	O	IOH	
13	L1	O	IOH	
14	TEST	B		IC Internal Testing pin.

E. PAD Assignment Location :



F. Application Circuit



日本国内総販売代理店

檜木総業株式会社

KASHINOKI SOGYO CO.,LTD.

〒121-0052 東京都足立区六木 3-34-12

TEL:(03)5682-0651 . FAX:(03)5682-0652