



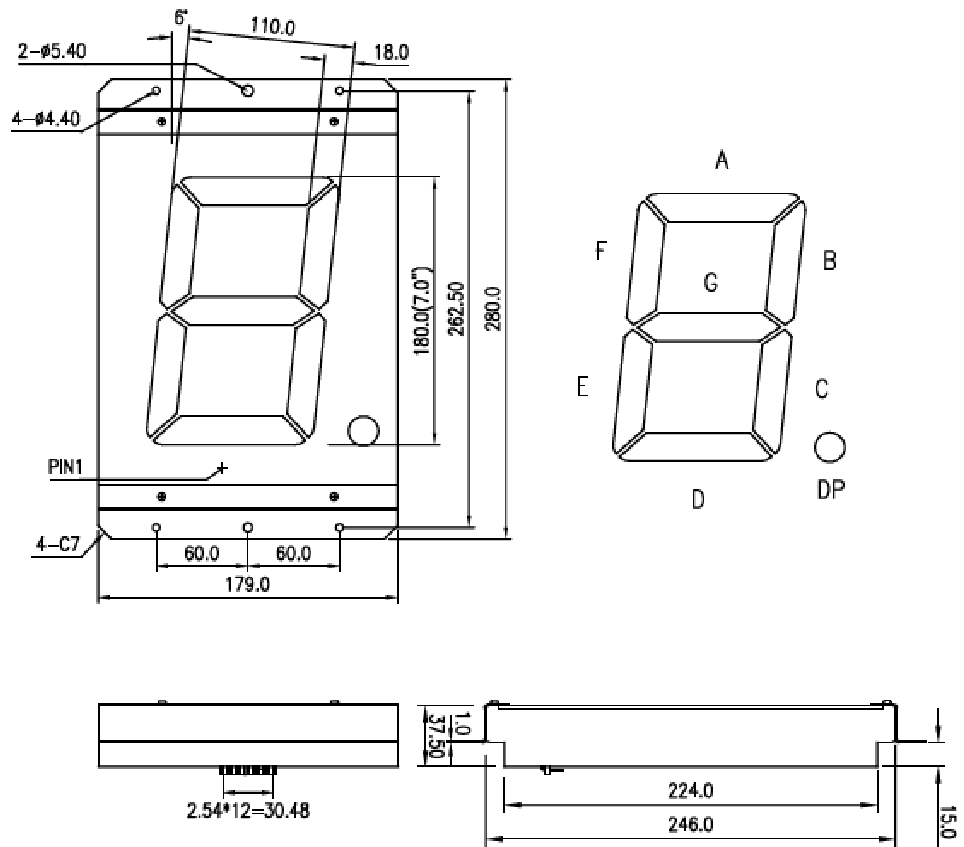
KASHINOKI SOGYO CO., LTD

製品名

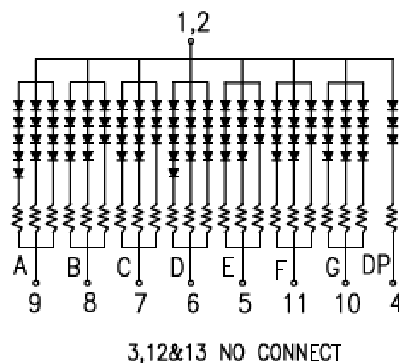
文字高180mm赤セグメント70101Rアノードコモン

APPEARANCE			TECHNOLOGIE	AlGaInP/GaAs
FACE	LAMP	PIN	SOURCE COLOR	Ultra-Red
Black	30bUReCAa-U3	—	DRIVER MODE	Row.Anode
			PACKING	Plastic Bag

PACKAGE DIMENSIONS



INTERNAL CIRCUIT DIAGRAM:





KASHINOKI SOGYO CO., LTD

製品名

文字高180mm赤セグメント70101Rアノードコモン

Packing	Plastic Bag		
Minimum Values at 25°C			
Technology	AlGaInP/GaAs		
Digit Size	181.0(7.0")		
Color of Emission	Ultra-Red		
Color of Housing	Red		
Luminous Intensity Per Segment (30mA)	K:4726 μ cd~ 6144 μ cd M:6145 μ cd~ 7987 μ cd N:7988 μ cd ~ 10383 μ cd		
Segment To Segment Luminous Intensity Ratio	<2.0:1		
Wavelength(Hue Eye's Efection) at I _F 20mA	630nm		
Spectral Line Half Width at I _F 20mA	15nm		
Forward Voltage Vf Min Of Segment at 20mA/EA	A.D Segment	B.C.E.F.G Segment	DP
	9V	9V	9V
Forward Voltage Vf Max Of Segment at 20mA/EA	12V	12V	12V
	Forward Current 25°C (Max.)		25mA
Forward Current 70°C (Max.)		30mA	10mA
Peak Forward Current (Max.)		240mA	80mA
Reverse Voltage/Segment (Max./I _R =300 μ A)	25V	20V	15V
Maximun Power Dissipation/Segment	1350mW	1350mW	300mW
Operating Temp Range	-25°C ~ +85°C		
Storage Temp Range	-30°C ~ +85°C		
Junction Temp T _j	>85°C		
Solder Temp	260°C/3sec		

PCB:70101

UR:TC-709UR-G-PM

I_vMin~Max.20~35mcd