

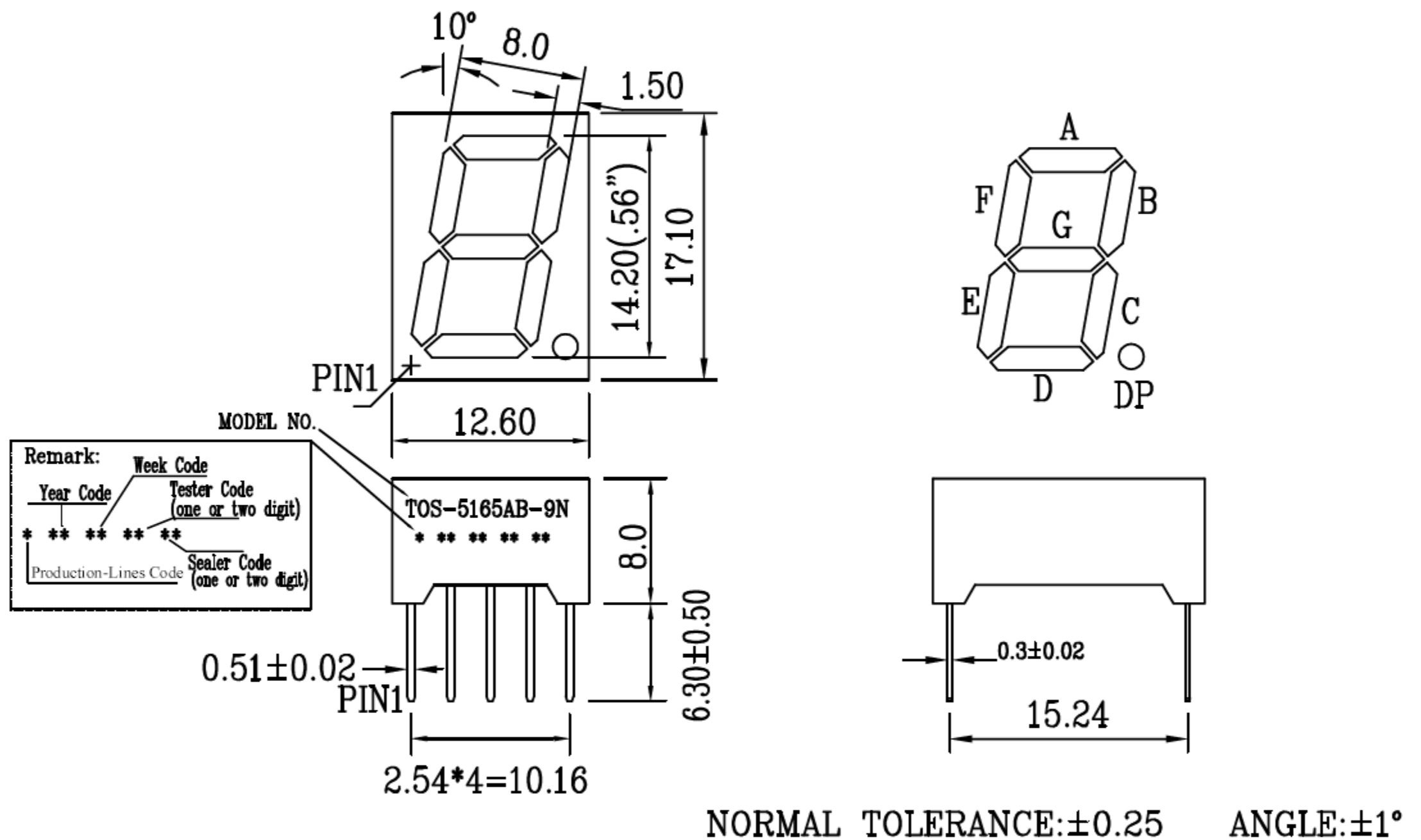


KASHINOKI SOGYO CO., LTD

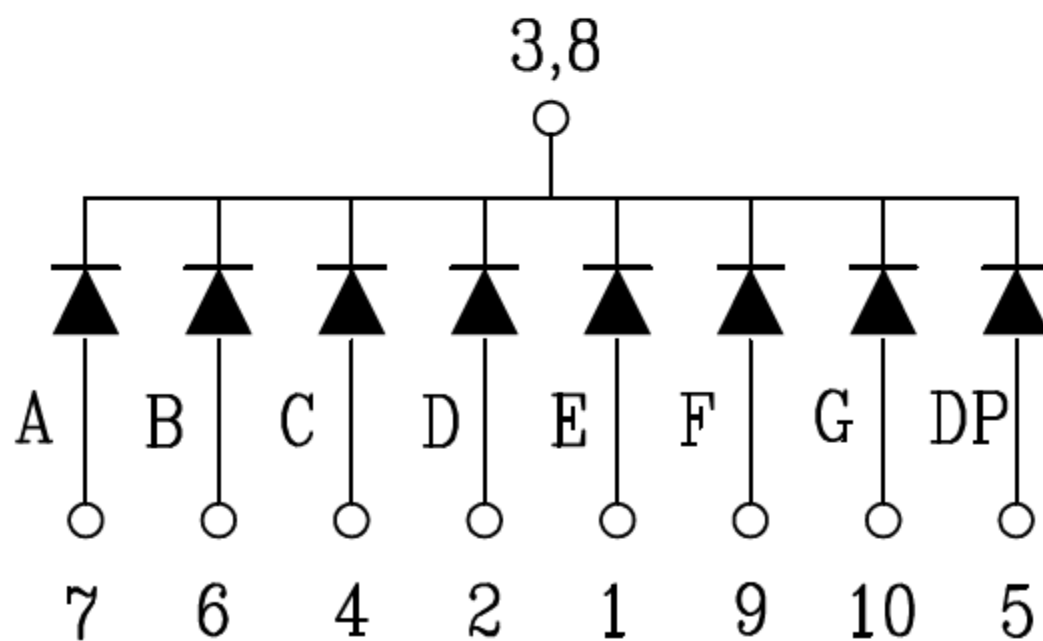
製品名 青セグメント 文字高14.2mm5165Bカソード

APPEARANCE			TECHNOLOGIE	InGaN/SiN
FACE	SEGMENT	FLAT PIN	SOURCE COLOR	Blue
Gray	White	0.3x10.28	DRIVER MODE	Com.Cathode
			PACKING	TUBE(5165)

PACKAGE DIMENSIONS



INTERNAL CIRCUIT DIAGRAM





KASHINOKI SOGYO CO., LTD

製品名

青セグメント 文字高14.2mm5165Bカソード

ABSOLUTE MAXIMUM RATINGS AT TA=25°C

PARAMETER	VALUE	UNITS
Power Dissipation Per Segment	105	mW
Peak Forward Current Per Segment (1/10 Duty Cycle, 0.1ms Pulse Width)	80	mA
Continuous Forward Current Per Segment	20	mA
Recommend Operating Current	12	mA
Reverse Voltage Per Segment	5	V
Operating Temperature Range	-25 to +85	°C
Storage Temperature Range	-30 to +85	°C
Junction Temperature	+85	°C
Storage Time at 25±2°C / 65%RH±5%RH	6	Month
Lead Sold Temperature(1/16 Inch Below Seating Plane)	260°C for 3 sec.	

ELECTRICAL/OPTICAL CHARACTERISTICS AT TA=25°C

PARAMETER	SYMBOL	MIN.	TYP.	MAX.	UNITS	TEST CONDITION
Luminous Intensity Per Segment	I _v		21937		μcd	I _F = 10mA
Dominant Emission Wavelength	λ _d		460		nm	I _F = 20mA
Spectral Line Half-Width	Δλ		26		nm	I _F = 20mA
Forward Voltage Per Segment	V _F		3.5	4.0	V	I _F = 20mA
Reverse Current Per Segment	I _R			50	μA	V _R = 5V
Luminous Intensity Matching Rate	I _{v-m}			2.0:1		I _F = 20mA