



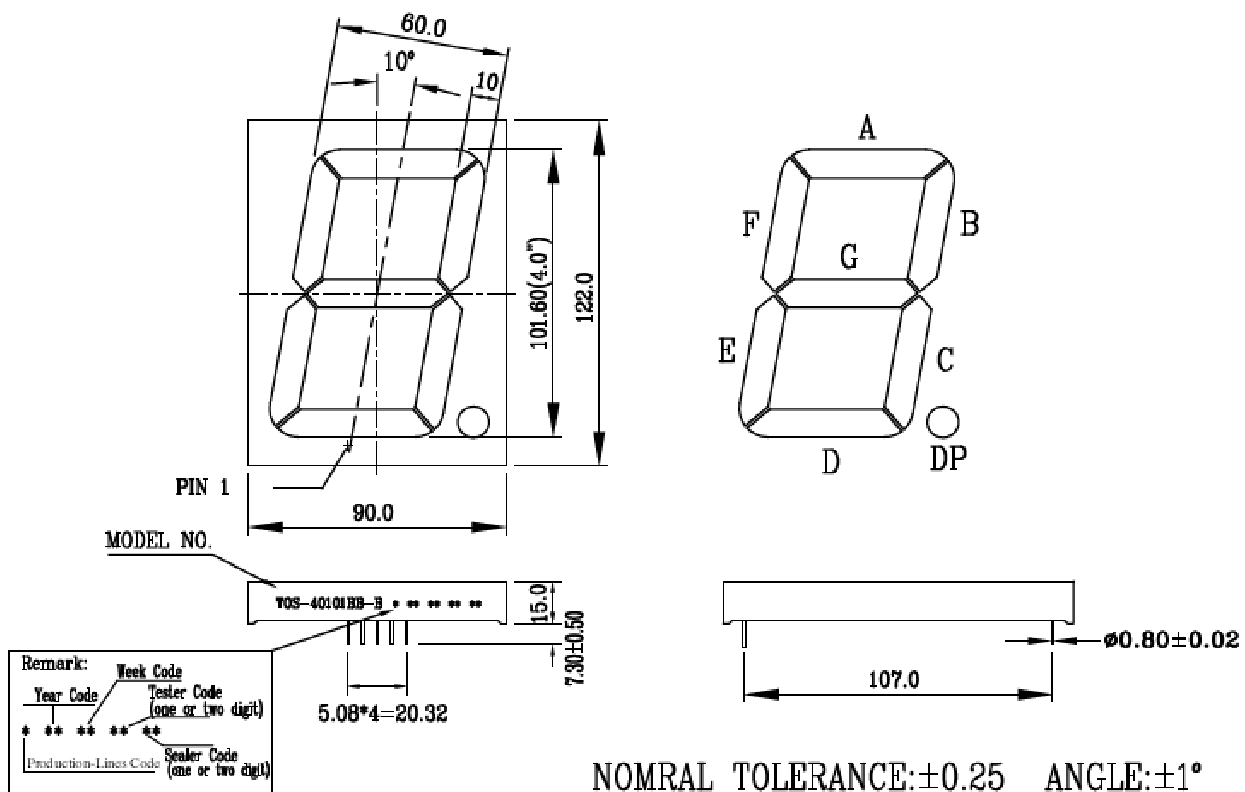
KASHINOKI SOGYO CO., LTD

製品名

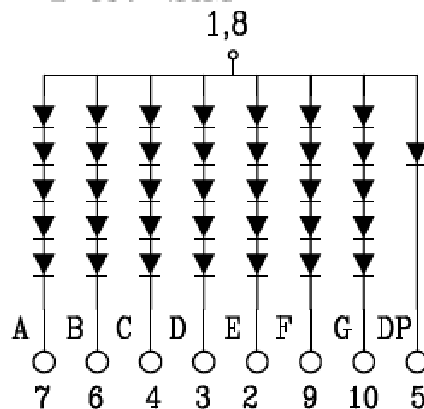
文字高101mm青セグメント40101Bアノードコモン

APPEARANCE			TECHNOLOGIE	InGaN/SiC
FACE	SEGMENT	PIN	SOURCE COLOR	Blue
Black	White	φ0.80x12.8	DRIVER MODE	Com. Anode
			PACKING	Styrene Foam

PACKAGE DIMENSIONS



INTERNAL CIRCUIT DIAGRAM





KASHINOKI SOGYO CO., LTD

製品名

文字高101mm青セグメント40101Bアノードコモン

ABSOLUTE MAXIMUM RATINGS AT TA=25°C

PARAMETER	VALUE	UNITS
Power Dissipation Per Segment (Except Dp)	525	mW
Peak Forward Current Per Segment (1/10 Duty Cycle, 0.1ms Pulse Width)	80	mA
Continuous Forward Current Per Segment	20	mA
Recommend Operating Current	12	mA
Reverse Voltage Per Segment	25	V
Operating Temperature Range	-25 to +85	°C
Storage Temperature Range	-30 to +85	°C
Junction Temperature	+85	°C
Storage Time at 25±2°C/65%RH±5%RH	6	Month
Lead Solder Temperature(1/16 Inch Below Seating Plane)	260°C for 3 sec.	

ELECTRICAL/OPTICAL CHARACTERISTICS AT TA=25°C

PARAMETER	SYMBOL	MIN.	TYP.	MAX.	UNITS	TEST CONDITION
Luminous Intensity Per Segment	I _v		11941		μcd	I _F =10mA
Dominant Emission Wavelength	λ _d		460		nm	I _F =20mA
Spectral Line Half-Width	Δλ		26		nm	I _F =20mA
Forward Voltage Per Segment (Except Dp)	V _F		17.5	20.0	V	I _F =20mA
Reverse Current Per Segment (Except Dp)	I _R			50	μA	V _R =25V
Luminous Intensity Matching Rate	I _v -m			2.0:1		I _F =20mA

Notes: Above specification may be changed without notice.