



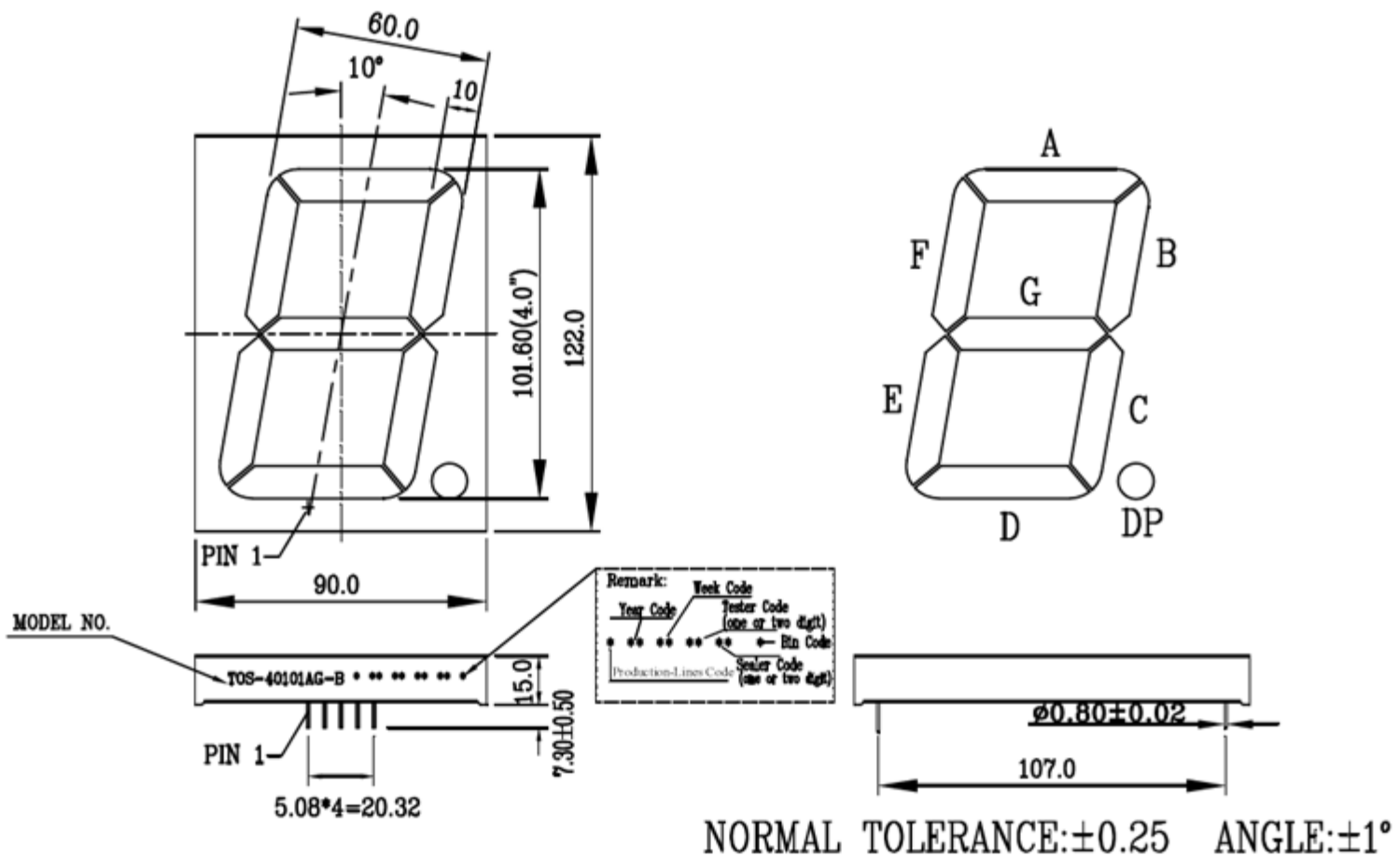
# KASHINOKI SOGYO CO., LTD

製品名

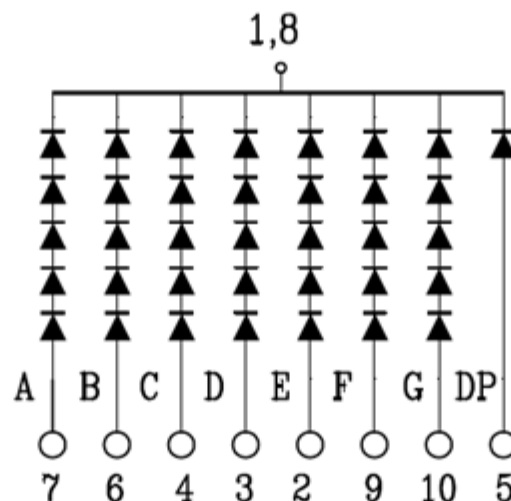
文字高101mm緑セグメント 40101G カソードコモン

APPEARANCE			TECHNOLOGIE	GaP
FACE	SEGMENT	PIN	SOURCE COLOR	Green
Black	White	φ0.80x12.80	DRIVER MODE	Com.Cathode
			PACKING	Styrene Foam

## PACKAGE DIMENSIONS



## INTERNAL CIRCUIT DIAGRAM





# KASHINOKI SOGYO CO., LTD

製品名

文字高101mm緑セグメント 40101G カソードコモン

## ABSOLUTE MAXIMUM RATINGS AT TA=25°C

PARAMETER	VALUE	UNITS
Power Dissipation Per Segment (Except Dp)	260	mW
Peak Forward Current Per Segment (1/10 Duty Cycle, 0.1ms Pulse Width)	80	mA
Continuous Forward Current Per Segment	20	mA
Recommend Operating Current	12	mA
Reverse Voltage Per Segment (Except Dp)	25	V
Operating Temperature Range	-25 to +85	°C
Storage Temperature Range	-30 to +85	°C
Junction Temperature	+85	°C
Storage Time at 25±2°C / 65%RH±5%RH	6	Month
Lead Sold Temperature(1/16 Inch Below Seating Plane)	260°C for 3 sec.	

## ELECTRICAL/OPTICAL CHARACTERISTICS AT TA=25°C

PARAMETER	SYMBOL	MIN.	TYP.	MAX.	UNITS	TEST CONDITION	GRADE
Luminous Intensity Per Segment	I <sub>v</sub>	1786	2143	2500	μcd	I <sub>F</sub> =10mA	F
Luminous Intensity Per Segment	I <sub>v</sub>	2501	3000	3500	μcd	I <sub>F</sub> =10mA	G
Luminous Intensity Per Segment	I <sub>v</sub>	3501	4113	4725	μcd	I <sub>F</sub> =10mA	H
Peak Emission Wavelength	λ <sub>p</sub>		570		nm	I <sub>F</sub> =20mA	
Spectral Line Half-Width	Δλ		30		nm	I <sub>F</sub> =20mA	
Forward Voltage Per Segment (Except Dp)	V <sub>F</sub>	9.5	11.0	12.5	V	I <sub>F</sub> =20mA	
Reverse Current Per Segment(Except DP)	I <sub>R</sub>			20	μA	V <sub>R</sub> =25V	
Luminous Intensity Matching Rate	I <sub>v</sub> -m			1.5:1		I <sub>F</sub> =20mA	

Notes: Above specification may be changed without notice.