

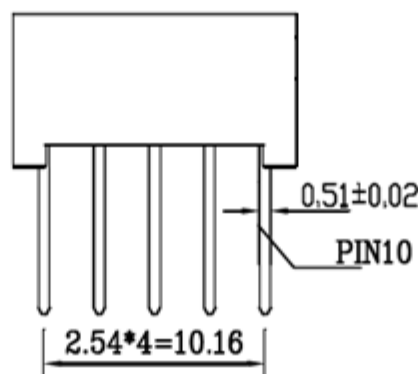
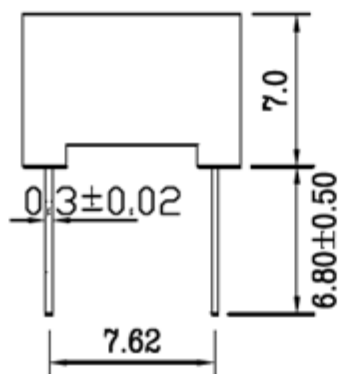
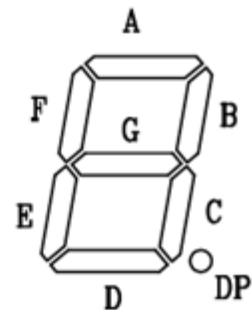
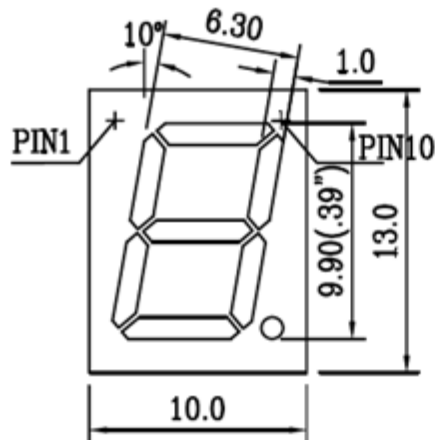


KASHINOKI SOGYO CO., LTD

製品名

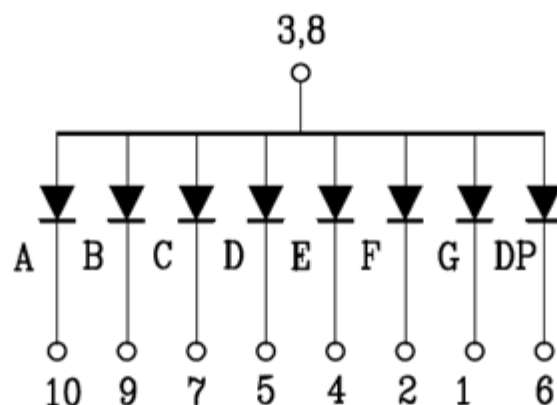
文字高9.9mm青セグメント 3191B アノードコモン

PACKAGE DIMENSIONS



NORMAL TOLERANCE:±0.25 ANGLE:±1°

INTERNAL CIRCUIT DIAGRAM





KASHINOKI SOGYO CO., LTD

製品名

文字高9.9mm青セグメント 3191B アノードコモン

ABSOLUTE MAXIMUM RATINGS AT TA=25°C

PARAMETER	VALUE	UNITS
Power Dissipation Per Segment	105	mW
Peak Forward Current Per Segment (1/10 Duty Cycle, 0.1ms Pulse Width)	80	mA
Continuous Forward Current Per Segment	20	mA
Recommend Operating Current	12	mA
Reverse Voltage Per Segment	5	V
Operating Temperature Range	-25 to +85	°C
Storage Temperature Range	-30 to +85	°C
Junction Temperature	+85	°C
Storage Time at 25±2°C / 65%RH±5%RH	6	Month
Soldering Temperature	260°C for 3 sec.	

ELECTRICAL/OPTICAL CHARACTERISTICS AT TA=25°C

PARAMETER	SYMBOL	MIN.	TYP.	MAX.	UNITS	TEST CONDITION
Luminous Intensity Per Segment	I _v		21937		μcd	I _F =10mA
Dominant Emission Wavelength	λ _d		460		nm	I _F =20mA
Spectral Line Half-Width	Δλ		26		nm	I _F =20mA
Forward Voltage Per Segment	V _F		3.5	4.0	V	I _F =20mA
Reverse Current Per Segment	I _R			50	μA	V _R =5V
Luminous Intensity Matching Rate	I _{v-m}			2.0:1		I _F =20mA