



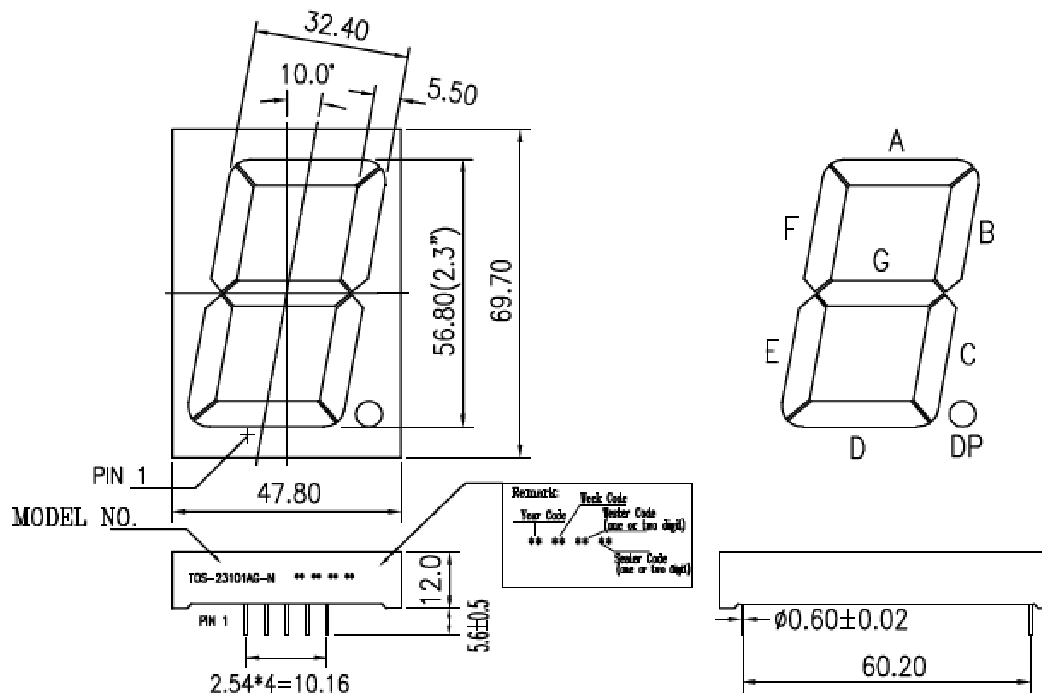
KASHINOKI SOGYO CO., LTD

製品名

文字高57mm緑セグメント23101Gカソードコモン

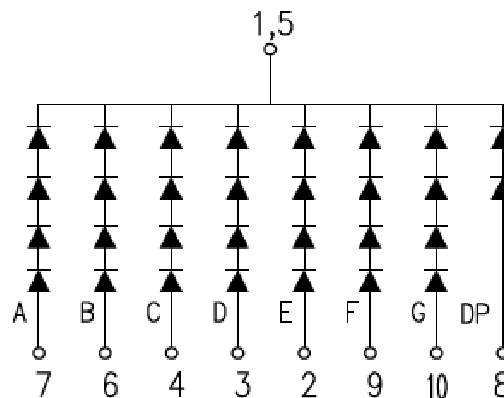
APPEARANCE			TECHNOLOGY	GaP
FACE	SEGMENT	PIN	SOURCE COLOR	Green
Gray	White	φ0.60x10.28	DRIVER MODE	Com.Cathode
			PACKING	TUBE"23101"

PACKAGE DIMENSIONS



NORMAL TOLERANCE:±0.25 ANGLE:±1°

INTERNAL CIRCUIT DIAGRAM





KASHINOKI SOGYO CO., LTD

製品名

文字高57mm緑セグメント23101Gカソードコモン

ABSOLUTE MAXIMUM RATINGS AT TA=25°C

PARAMETER	VALUE	UNITS
Power Dissipation Per Segment (Except Dp)	300	mW
Peak Forward Current Per Segment (1/10 Duty Cycle, 0.1ms Pulse Width)	80	mA
Continuous Forward Current Per Segment	20	mA
Recommend Operating Current	12	mA
Reverse Voltage Per Segment (Except Dp)	20	V
Operating Temperature Range	-25 to +85	°C
Storage Temperature Range	-30 to +85	°C
Junction Temperature	>85	°C
Lead-Free Solder Temperature(1/16 Inch Below Seating Plane)	260°C for 3 sec.	

ELECTRICAL/OPTICAL CHARACTERISTICS AT TA=25°C

PARAMETER	SYMBOL	MIN.	TYP.	MAX.	UNITS	TEST CONDITION
Luminous Intensity Per Segment	I _v		4113		μcd	I _F = 10mA
Peak Emission Wavelength	λ _p		570		nm	I _F = 20mA
Spectral Line Half-Width	Δλ		30		nm	I _F = 20mA
Forward Voltage Per Segment	V _F	7.6	8.8	10	V	I _F = 20mA
Forward Voltage of Dp	V _F	3.8	4.4	5	V	I _F = 20mA
Reverse Current Per Segment	I _R			20	μA	V _R = 20V
Reverse Current of Dp						V _R = 10V
Luminous Intensity Matching Rate	I _v -m			1.5:1		I _F = 20mA